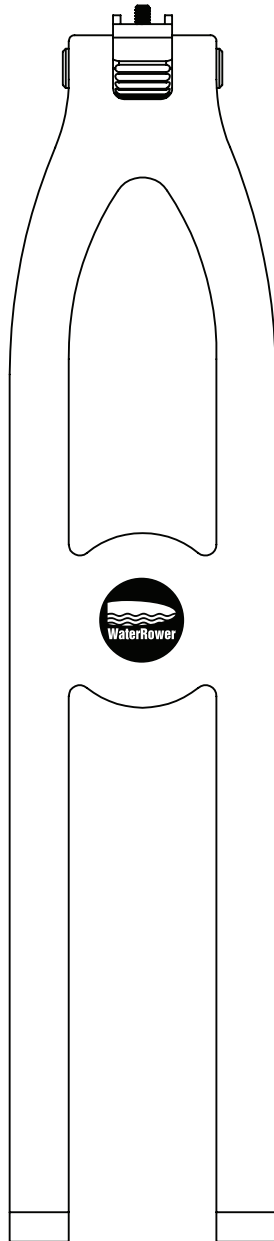
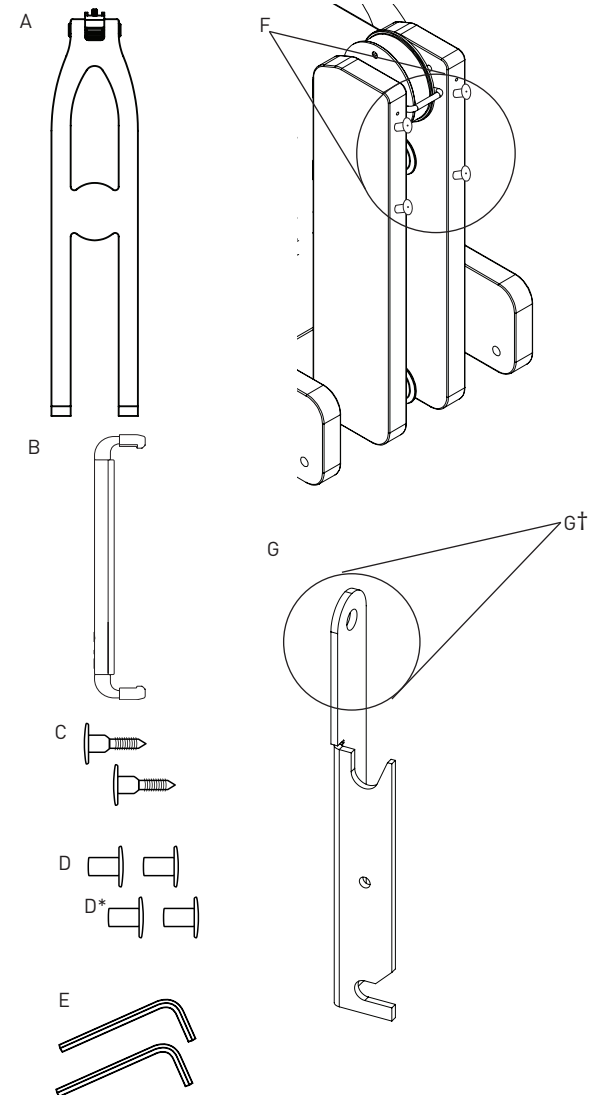


Tablet/Phone Arm Accessory



Parts

- A Tablet/Phone Arm
- B Phone Mount
- C JCB (WRB-B711) x 2
- D JCN (WRP-B700) x 4
(D* 2 of these are preassembled on Tablet/Phone Arm)
- E 5mm Allen Key (WRP-B740) x 2 (come with rower)
- F Tie Rods (WRP-T730) (attached to rower)
- G Bracket x 2
G† Upper Bracket

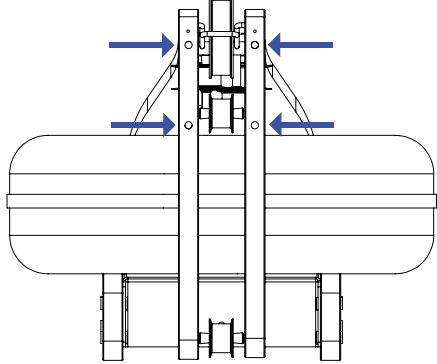


ASSEMBLY INSTRUCTIONS

1

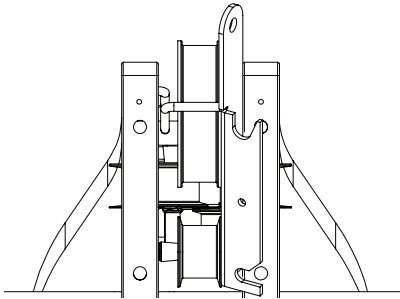
Use Allen key (E) to loosen the four tie rods (F) on the forward riser, approximately three full turns.

Do not loosen too far.



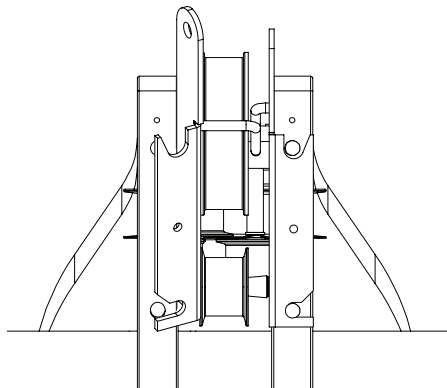
2

Slide bracket (G) onto tie rods (F); ensure the corner is aligned with the inside of the forward riser, and the upper portion of the bracket (G†) is on top. Using the Allen key (E), tighten the tie rods (F) to secure bracket (G) in place.



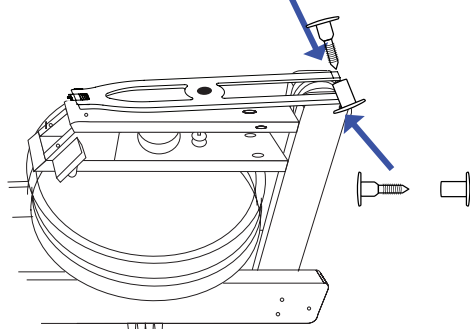
3

Repeat step 2 for other side.



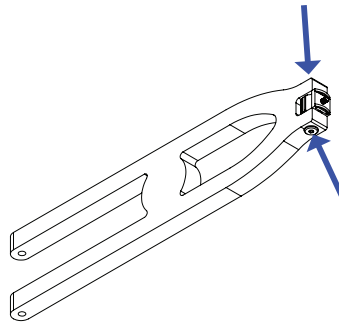
4

Lay Tablet/Phone Arm (A) flat on top of your machine; the WaterRower logo should be facing up. Align holes on the upper portion of the bracket (G†). Insert the JCB (C) to the JCN (D) on both sides and tighten to the bracket (G).



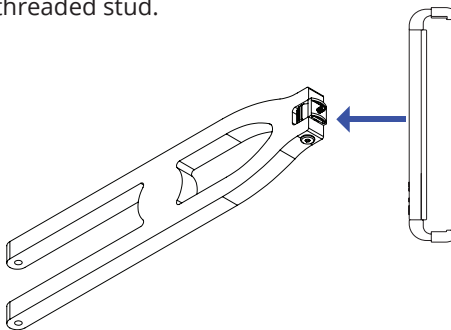
5

Using an Allen key (E) tighten JCN's (D*) on either side of the Tablet/Phone Arm. **Repeat this step every 1-2 weeks, depending on usage.**



6

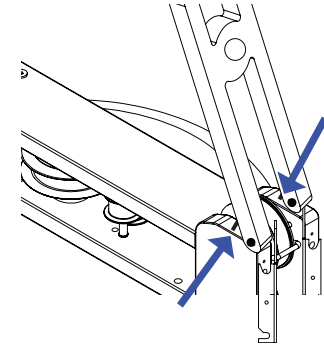
Screw the Tablet/Phone Mount (B) on the threaded stud.



USAGE INSTRUCTIONS

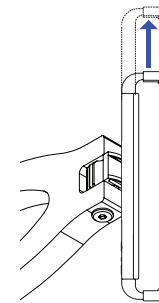
A

Pull Tablet/Phone Arm up to release kickstands for use.



B

Lift top of Tablet/Phone Mount (B) and insert smart device into the mount.



C

When finished: (1) Remove smart device, (2) lift Tablet/Phone Arm and (3) push kickstands in to return to stored position before moving WaterRower.

Do not attempt to move or store WaterRower with Tablet/Phone Arm in usage position or with smart device attached.

